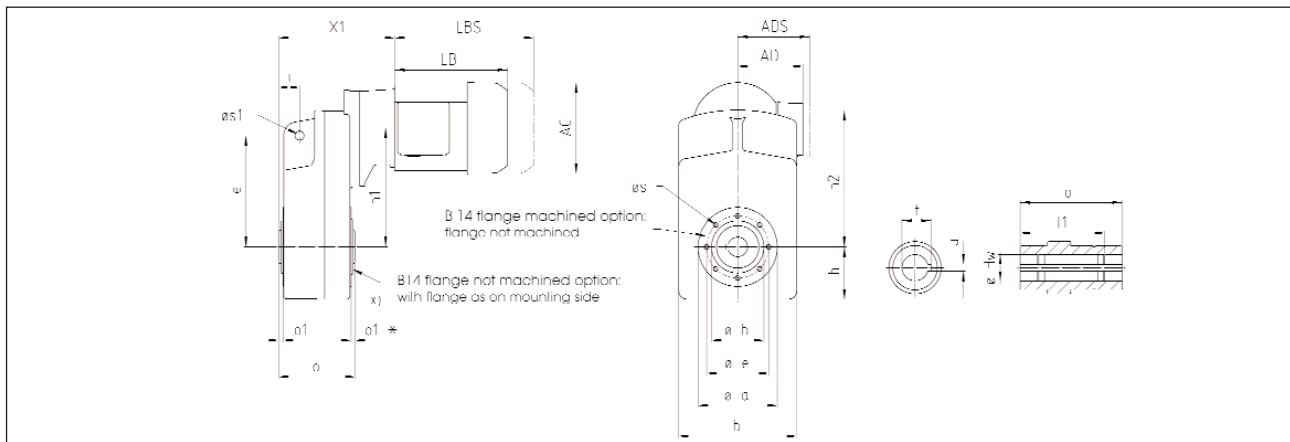


## Dimensions for 4-stage shaft mounted helical gears (Slip-on execution with flange B 14)\*



Gear box type	Gearbox related dimensions [mm]				Motor type	Motor related dimensions [mm]			
						AC	AD	LB	X <sub>1</sub>
FGA 424.4	Ø a = 120	h <sub>1</sub> = 181,5	o <sub>1</sub> = 7		D63	124	96	157	178,5
	b = 181	h <sub>2</sub> = 209	Ø s = 8xM8		D71	139	101	172,5	177,5
	Ø b = 80	Ø HW = 30 / 35	Ø s <sub>1</sub> = 14		D80	158	108	199	186,5
	Ø e = 95	i = 32	t = 33,3 /		D90S	177	122	211,5	186,5
	e = 170	L <sub>1</sub> = 97	38,3		D90L	177	122	236,5	186,5
	h = 80,5	o = 117	u = 8 / 10						
FGA 1353.4	Ø a = 160	h <sub>1</sub> = 231	o <sub>1</sub> = 8,5		D71	139	101	172,5	222
	b = 215	h <sub>2</sub> = 266	Ø s = 8xM10		D80	158	108	199	231
	Ø b = 110	Ø HW = 50 / 55	Ø s <sub>1</sub> = 21		D90S	177	122	211,5	231
	Ø e = 130	i = 41,5	t = 53,8 /		D90L	177	122	236,5	231
	e = 218	L <sub>1</sub> = 142,1	59,3						
	h = 106	o = 165	u = 14 / 16						