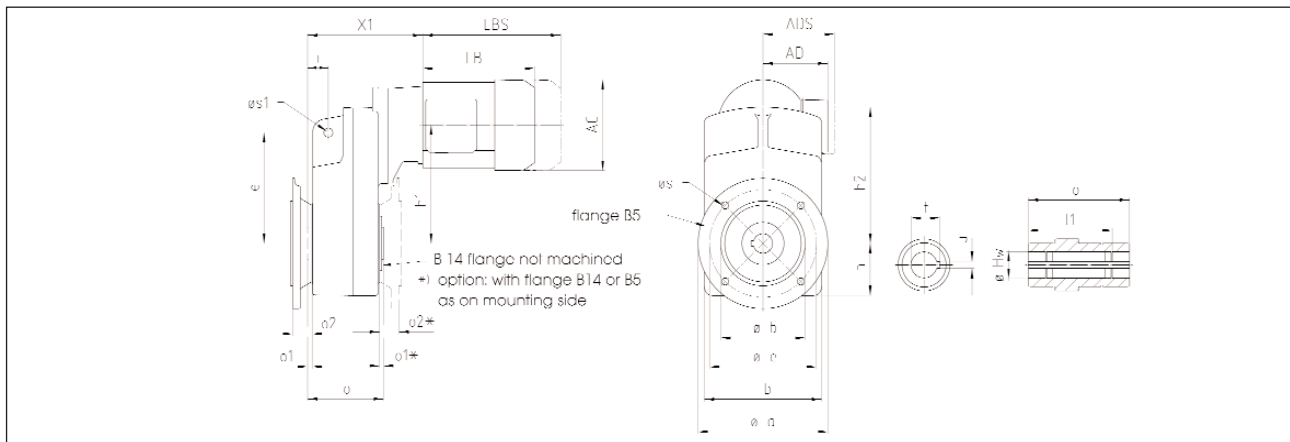


Dimensions for 4-stage shaft mounted helical geared motors  
(Slip-on execution with flange B 5)\*



Gear box type	Gearbox related dimensions [mm]				Motor type	Motor related dimensions [mm]			
	AC	AD	LB	$X_1$					
FGA 424.4	$\varnothing a = 200$	$h_2 = 209$	$\varnothing s = 11$	D63	124	96	157	178,5	
	$b = 181$	$\varnothing HW = 30 / 35$	$s_1 = 14$	D71	139	101	172,5	177,5	
	$\varnothing b = 120$	$i = 32$	$t = 33,3 /$	D80	158	108	199	186,5	
	$e = 170$	$L_1 = 97$	$38,3$	D90S	177	122	211,5	186,5	
	$\varnothing e = 165$	$o = 117$	$u = 8/10$	D90L	177	122	236,5	186,5	
FGA 1354.4	$h = 80,5$	$o_1 = 7$							
	$h_1 = 181,5$	$o_2 = 30$							
	$\varnothing a = 250$	$h_2 = 266$	$\varnothing s = 14$	D71	139	101	172,5	222	
	$b = 215$	$\varnothing HW = 50 / 55$	$s_1 = 21$	D80	158	108	199	231	
	$\varnothing b = 180$	$i = 41,5$	$t = 53,8 /$	D90S	177	122	211,5	231	
$e = 218$	$L_1 = 142,1$	$59,3$	D90L	177	122	236,5	231		
$\varnothing e = 215$	$o = 165$	$u = 14/16$							
$h = 106$	$o_1 = 8,5$								
$h_1 = 231$	$o_2 = 35$								